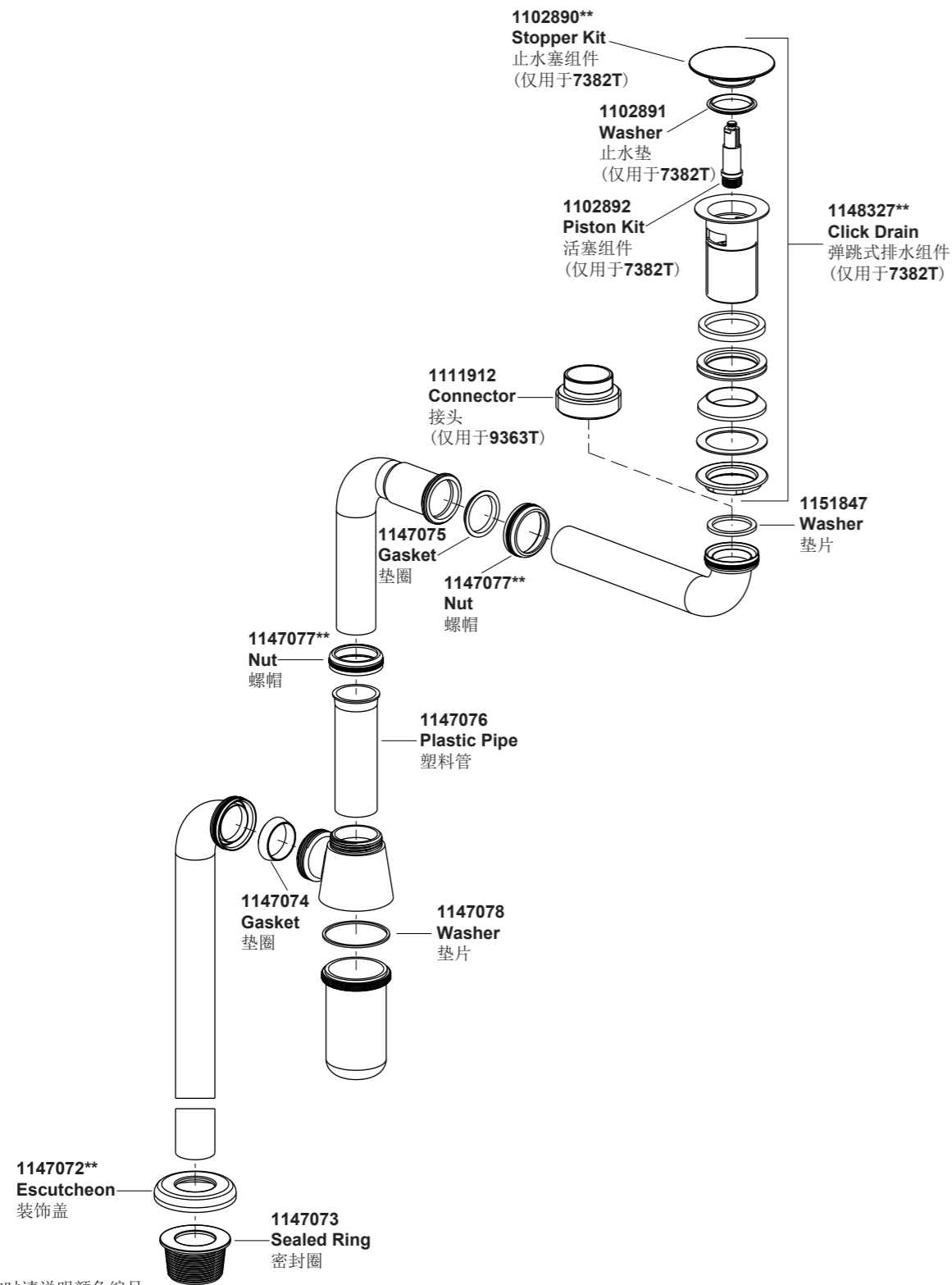


7382T 地排落水去水弯管

9363T 地排去水弯管



\*\*订购时请说明颜色编号

\*\*Color code must be specified when ordering

7382T 地排落水去水弯管

9363T 地排去水弯管

### 安装之前

所有的资料是按最新发布的产品资料编写而成。科勒公司保留任何时候不经通知即可改变产品特性、包装或产品可供类型的权利。

说明书包括重要的安装、保养及清洁方面的内容，请把这些资料交给用户阅读。

#### 注意事项：

1. 遵守当地管路安装条例。
2. 关闭主水源。
3. 尽可能在安装脸盆之前安装落水和去水弯管。
4. 根据地排去水弯管安装尺寸，预置地下排水管。排水管内径大于 $\varnothing 32\text{mm}$ (推荐控制在 $33\sim 46\text{mm}$ 之间)。允许略高出装修好的地面，但不大于 $10\text{mm}$ 。去水弯管伸入排水口长度不小于 $25\text{mm}$ 。

### BEFORE YOU BEGIN

All information is based on the latest product information available at the time of publication. Kohler Co. reserves the right to make changes in product characteristics, packaging, or availability at any time without notice.

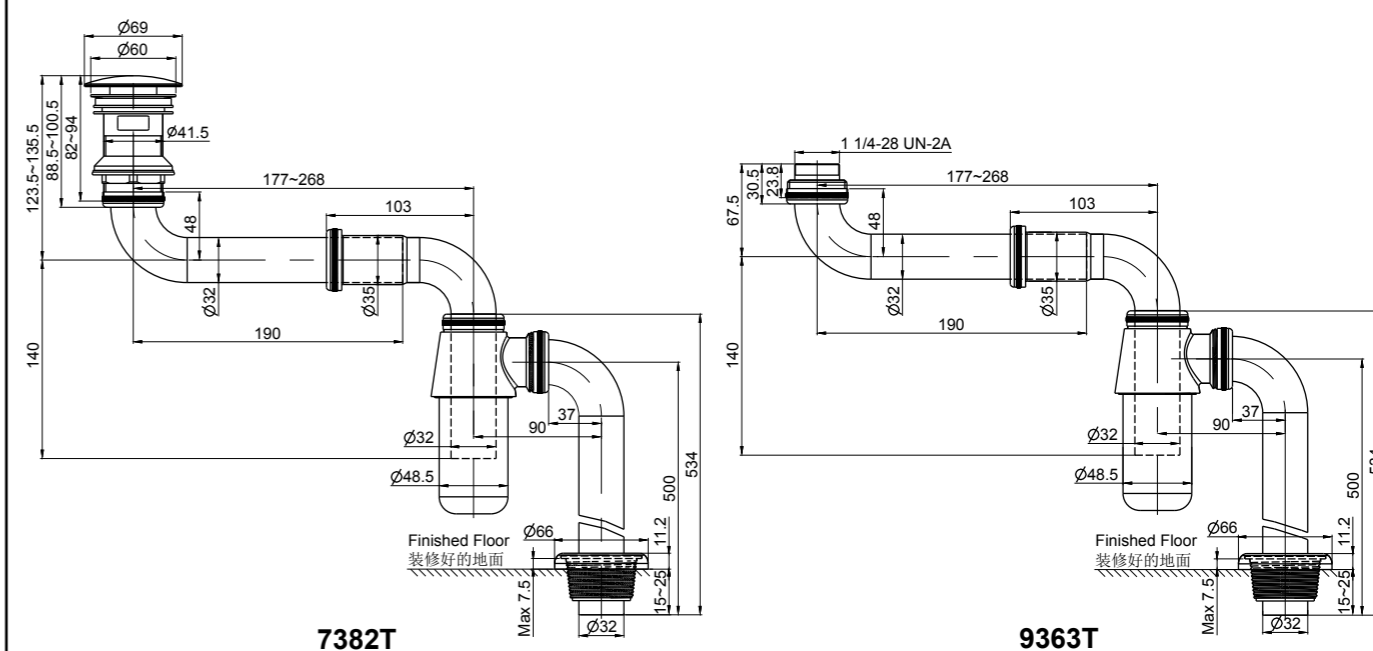
Please leave these instructions for the consumer. They contain important information.

#### NOTES:

1. Observe local plumbing codes.
2. Shut off the main water supply.
3. If possible, install drain and trap before installing the lavatory.
4. According to rough-in dimensions of floor-outlet trap, drain stub-out should be prearranged in the floor. Inside diameter of the drain stub-out must be bigger than  $\varnothing 32\text{mm}$ (recommended  $33\sim 46\text{mm}$ ). It can extend beyond the wall, but no more than  $10\text{mm}$ . The pipe of the bottle trap can reach into drain stub-out no less than  $25\text{mm}$ .

### 安装尺寸

### ROUGH-IN DIMENSIONS



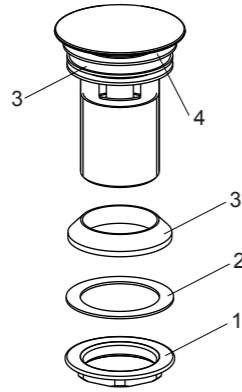
## 安装步骤

### 如何安装排水器 仅对于7382T

把锁紧螺母(1)、塑料垫片(2)和橡胶垫圈(3)从排水本体上依次取下。把排水本体从脸盆上部孔插入。再依次将橡胶垫圈(小面朝上)、塑料垫片和锁紧螺母从脸盆下方装回排水本体。锁紧螺母。

**注意：**如果需要，可在排水器盘片(4)底面沿周围涂一圈密封油灰或其它密封剂，而不使用橡胶垫片(5)。

**注意：**在锁紧螺母拧紧后，不可调整排水本体的位置，否则会破坏油灰或密封剂密封。



## INSTALLATION

### How To Install The Drain Only For 7382T

Remove the locknut(1), plastic washer(2) and the rubber gasket(3) from the drain body. Insert the drain body into the lavatory. Install the rubber gasket (Tapered side up), plastic washer and locknut back to the drain body in turn. Tighten the locknut.

**NOTE:** If needed, apply a ring of plumbers putty or other sealants around the underside of the drain flange(4), instead of using rubber washer(5).

**NOTE:** Do not reposition the drain after the locknut is tightened, or you may break the putty or sealant seal.

### 如何安装去水弯管

对于9363T，将接头(6)取下，然后装到排水器(7，客户自备)上。注意不要弄丢橡胶垫片(8)。

分别测量排水器(9)中心到预置排水口(10)中心和脸盆底部到地面的距离。

旋松去水弯管(11)上的连接螺帽(12)，取下垫圈(13)。根据需要在确保弯管(11)伸入预置排水口的长度不小于25mm的基础上，可适当切除弯管，但避免损坏电镀表面。将垫圈装入连接螺帽，锁紧连接螺帽。

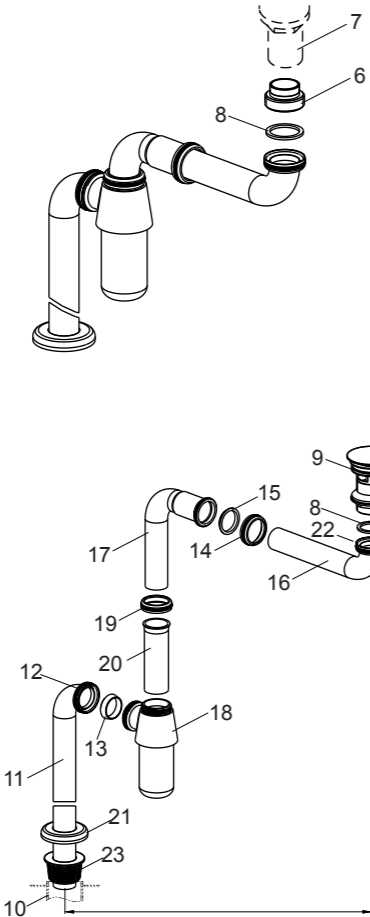
**注意：**确保弯管(11)插入预置排水口的长度不少于25mm。

将连接螺帽(14)和塑料垫片(15)取下。根据需要在确保弯管(16)伸入弯管(17)长度不小于25mm的基础上，可适当切除弯管(16)，但要避免损坏电镀表面。依次将连接螺帽和塑料垫片套入弯管(16)，然后将弯管(16)插入弯管(17)，锁紧连接螺帽。

**注意：**确保弯管(16)插入弯管(17)进水口的长度不少于25mm。

将去水弯管(18)上的连接螺帽(19)和塑料管(20)依次取下，接着依次将连接螺帽和塑料管套入弯管(17)，然后将弯管(17)插入去水弯管(18)进水口。依次将装饰盖(21)和密封圈(23)套入弯管(11)，然后将弯管插入排水口。将橡胶垫片(8)装入连接螺帽(22)，然后将连接螺帽(22)与排水器相连，但不锁紧。

Remove the nut(19) and the plastic pipe(20) from the bottle trap(18). Slide the nut and the plastic pipe onto the trap(17), then insert the trap(17) into the bottle trap(18) inlet. Slide the escutcheon(21) and the sealing ring(23) onto the trap(11), insert the trap into the drain stub-out. Install the rubber washer(8) into the nut(22), then connect the nut(22) to drain, but do not tighten.



### How To Install The Trap

For 9363T, Remove the connector(6), then install it onto the drain(7, not provided). Note: do not lose the rubber washer(8).

Measure the distance from the center of drain(9) to drain stub-out(10) and from lav to floor.

Loosen the nut(12) of the bottle trap(11), remove the gasket(13). Ensure the trap(11) insert into the drain stub-out at least 25mm. Cut it off as needed. Be careful, not to damage the finish. Install the gasket into the nut, tighten the nut.

**NOTE:** Ensure the trap(11) must be inserted into drain stub-out at least 25mm.

Remove the nut(14) and the plastic washer(15). Ensure the the trap(16) insert into the trap(17) at least 25mm. Cut it(16) off as needed. Be careful, not to damage the finish. Slide the nut and the plastic washer onto the trap(16), then insert the trap(16) into the trap(17). Tighten the nut.

**NOTE:** Ensure the trap(16) must be inserted into the inlet of trap(17) at least 25mm.

如果连接螺帽不能与排水器螺纹相连，则需要旋松连接螺帽(14)，调节弯管(16)伸入弯管(17)的长度。锁紧连接螺帽(14, 22)。确保弯管(11)伸入预置排水口和弯管(17)伸入弯管(11)进水口的长度不小于25mm，锁紧连接螺帽(19)。将密封圈(23)塞入排水口，如弯管与排水口之间的间隙过小不能塞入密封圈，则去掉密封圈，用密封胶填充间隙。将装饰盖下推与地面接触。

**注意：**确保弯管(11)插入预置排水口和弯管(17)伸入弯管(11)进水口的长度不少于25mm。

If can't do so, loosen the nut(14), adjust the length that the trap(16) insert into the trap(17). Tighten the nuts (14, 22) in order. Ensure the trap(11) insert into the drain stub-out and the trap(17) insert into the trap(11) inlet at least 25mm. Tighten the nut(19). Push down the sealing ring(23) into the drain stub-out. If the gap between the trap and the drain stub-out is too small to push in the sealing ring. Discard the sealing ring. Fill the gap with sealants. Push escutcheon against the finished floor.

**NOTE:** Ensure the trap(11) must be inserted into the drain stub-out at least 25mm. Ensure the trap(17) must be inserted into the bottle trap(11) inlet at least 25mm.

## 安装结果检查

检查并确保所有的衔接螺母都已拧紧，确保把手在关的位置。

打开排水器和主要供水源，检查并修理有漏水的接口。

### 更换止水垫及活塞组件 仅对于7382T

逆时针旋下止水塞(24)，然后取出止水垫(25)。更换新的止水垫。逆时针旋下活塞组件(26)，更换新的活塞组件。装回止水垫及止水塞。

### 清理去水弯管杂质

逆时针转动弯管(27)直至取下，将垫片(28)放到一边。逆时针转动连接螺帽(19, 22)，然后取下橡胶垫片(8)和塑料管(20)放到一边。注意不要弄丢连接螺帽(19)，橡胶垫片(8)，垫片(28)和塑料管(20)。清理积在弯管(27, 29)和去水弯管本体(30)内的杂质，重新装回橡胶垫片，垫片，塑料管，连接螺帽及弯管。

## 清洗说明

适用于所有加工处理过的表面：以中性肥皂水清洗镀层表面，再以干净的软布彻底擦干整个表面，许多清洁剂，比如氨水、去污粉及洁厕灵等，会对电镀表面造成伤害，切忌使用。

有磨损性的清洁用具或清洁剂也不可适用于科勒牌的水龙头及其配件上。

## INSTALLATION CHECKOUT

Ensure that all coupling nuts are tight. Ensure that the handle is in the off position.

Turn on the drain and main water supply, and check for leaks. Repair as needed.

### Replacing The Washer And Piston Kit Only For 7382T

Turn counterclockwise to remove the stopper(24). Take out washer(25). Replace with a new one. Turn counterclockwise to remove the piston kit(26). Replace with a new one. Reinstall stopper and washer.

### Clean Debris In Trap

Turn the trap(27) counterclockwise until fully removed from the bottle trap body. Set the washer(28) aside. Turn the nuts(19, 22) counter-clockwise, then remove the rubber washer(8) and the plastic pipe(20), and set them aside. Note: do not lose the nuts(19), the rubber washer(8), the washer(28) and the plastic pipe(20). Clean out any debris that has collected in the traps(27, 29) and the bottle trap body(30). Reinstall the gasket, the plastic pipe, the nuts and the traps.

